

SFS 22D
 Δ0-180° □0-90-180°
 1.5Nm

SFS 34D
 Δ0-180° □0-90-180°
 6Nm



Single Swivel Unit

TYPE : SFS



Distinction

- Compact design
- Shockabsorber for precise angular position
- Swivelling angle from 0 to 180°
- Other intermediate positions(backlash free) are optionally available
- 소형, 경량 구조
- Single power system 구조
- Shockabsorber를 이용하여 각도조절 용이
- 회전각도 : 0°~180° (조정가능)

- ▶ Principle of operation : drive via 2 pistons, transmission of force and synchronization via rack and pinion
- ▶ Material : housing is made of high-tensile, hard-coated aluminium alloy ; functional parts are made of hardened steel
- ▶ Actuation : pneumatic, compressed air filtered(10μm), dry or lubricated
- ▶ Range of operating pressure : from 4.5 to 8bars
- ▶ Operating temperature : form 5° to 60℃(41°F to 140°F)
- ▶ Accessories : proximity switches, Double-check safety valve.

- ▶ 재질 : 몸체 AL(Hard-Coated)
작동부위 Hardened Steel
- ▶ 구동원 : Pneumatic
- ▶ 사용압력 : 4.5~8bars
- ▶ 사용온도 : 5℃~60℃

SFS 22D
0-180°
1.5Nm

SFS 34D
0-180°
6Nm

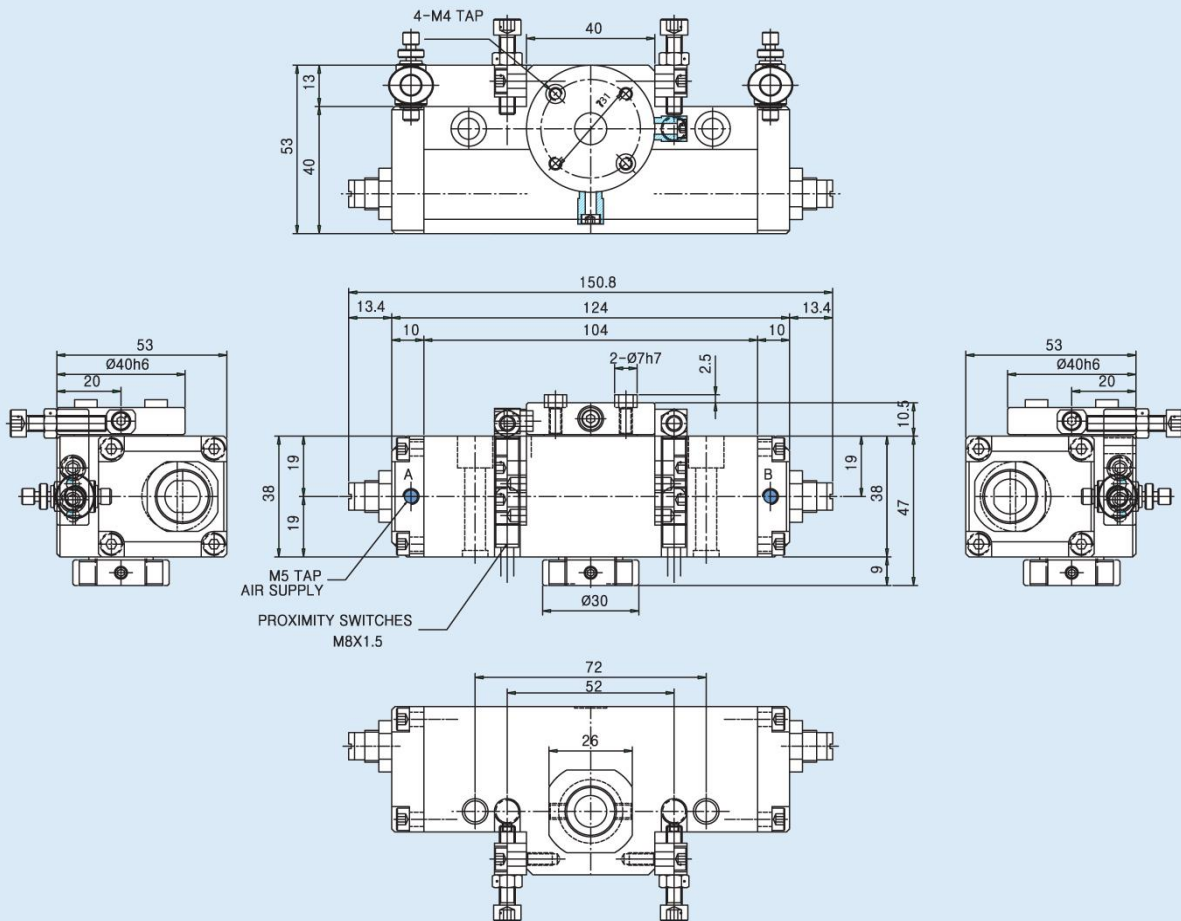
Single Swivel Units SFS 22D

Type	**Torque at 6bars	No. of air feed throughs	Axial payload	Radial payload	Air consumption per cycle (2×180°)	Cycle time (1×180° without load)	Mass	Mass moment of inertia	*Repeat ability
SFS 22D	1.5Nm	0	600N	10.4Nm	22cm ³	0.3s	1.2kg	35kg	0.1°

* After 100 consecutive swivel cycles to end position.

** Actuation piston double-acting.

Dimension for SFS 22D



SFS A22D
0-180°
1.5Nm

SFS A34D
0-180°
6Nm

Single Swivel Units SFS 34D

Type	**Torque at 6bars	No. of air feed throughs	Axial payload	Radial payload	Air consumption per cycle (2×180°)	Cycle time (1×180° without load)	Mass	Mass moment of inertia	*Repeat ability
SFS 34D	6Nm	0	1500N	30.8Nm	35cm ³	0.5s	1.8kg	67kg cm ³	0.1°

* After 100 consecutive swivel cycles to end position.

** Actuation piston double-acting.

Dimension for SFS 34D

