

AP60

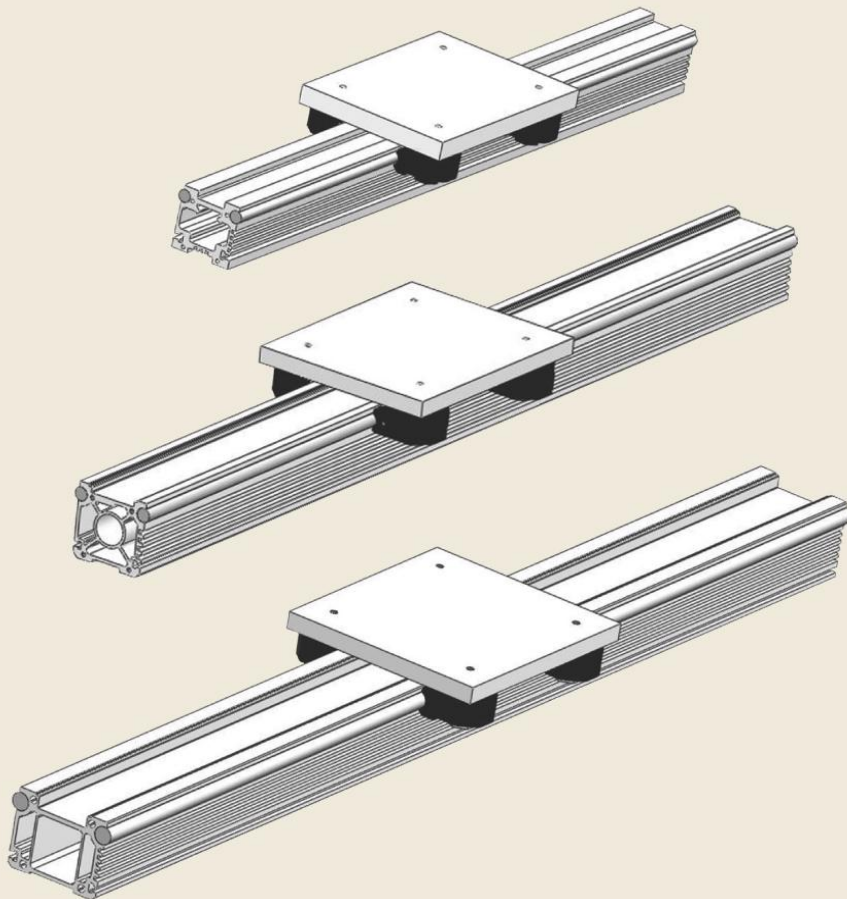
AP80

AP110

AP166

Positioning System

Type : AP



AP Positioning System Without Drive

Roller Guide Unit Without Drive



AP60

AP80

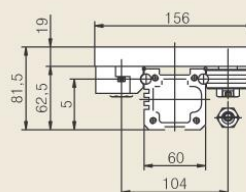
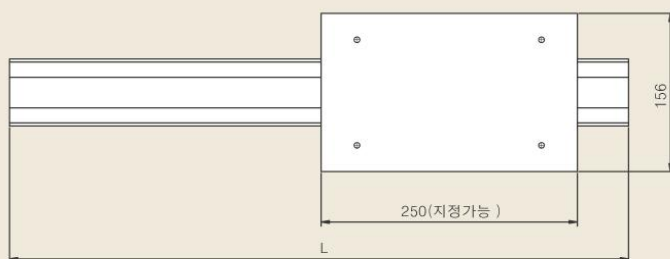
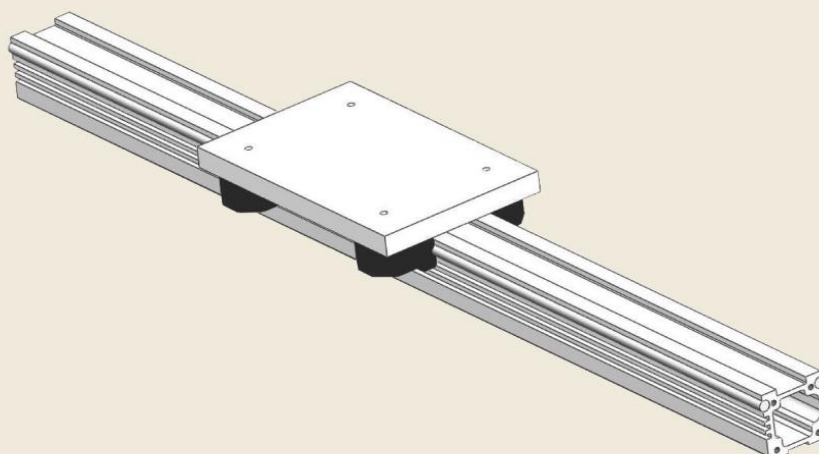
AP110

AP166

Belt Drive System AP60

Beam Size	Max. Length	Shaft Diameter	Roller Type
AP60	6,000	$\phi 10$	G10B

Dimension For AP60



AP60

AP80

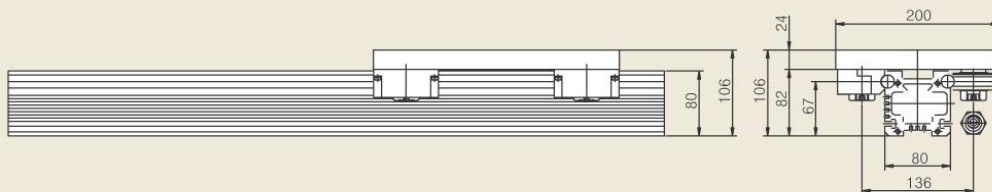
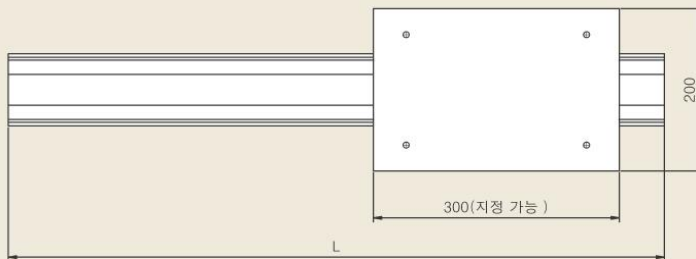
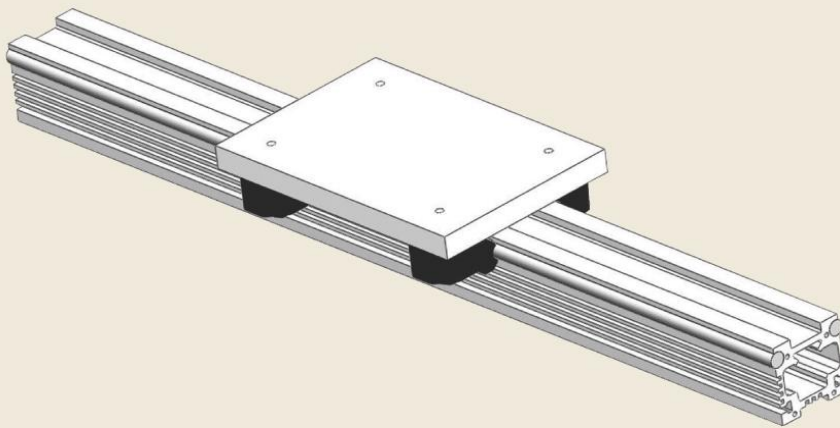
AP110

AP166

Belt Drive System AP80

Beam Size	Max. Length	Shaft Diameter	Roller Type
AP80	6,000	φ 16	G16B

Dimension For AP80



Roller Guide Unit Without Drive



AP60

AP80

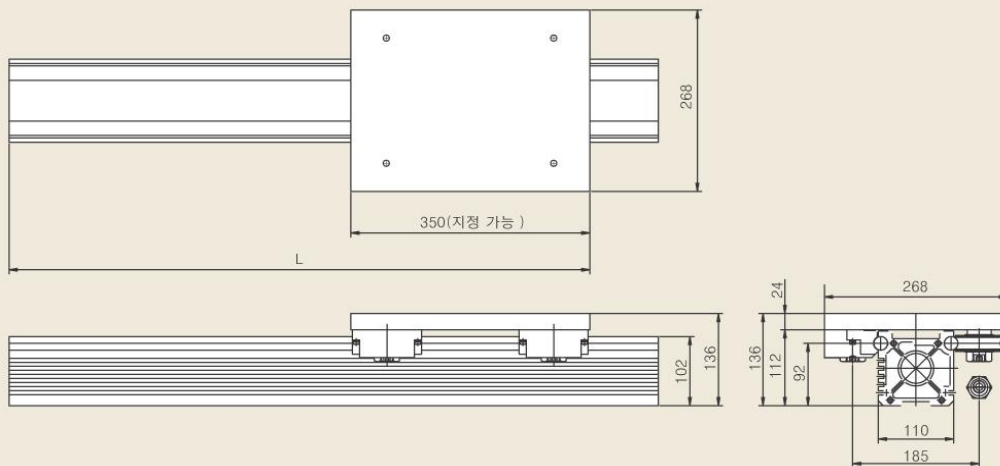
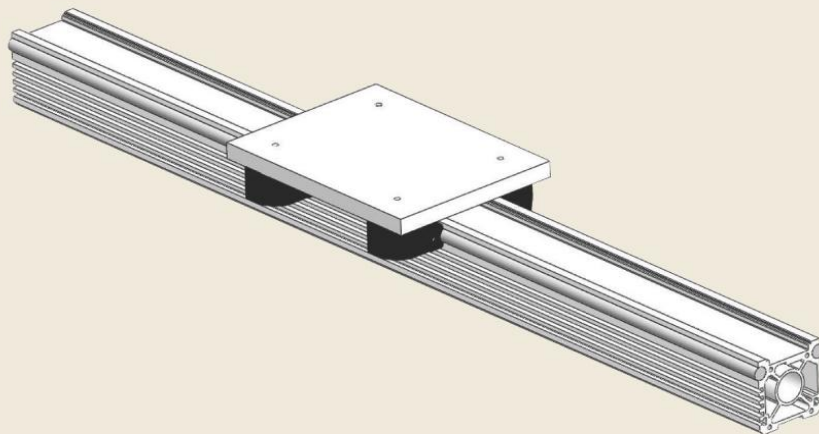
AP110

AP166

Belt Drive System AP110

Beam Size	Max. Length	Shaft Diameter	Roller Type
AP110	6,000	$\phi 20$	G20B

Dimension For AP110



AP60

AP80

AP110

AP166

Belt Drive System AP166

Beam Size	Max. Length	Shaft Diameter	Roller Type
AP166	5,000	φ 30	G30

Dimension For AP166

